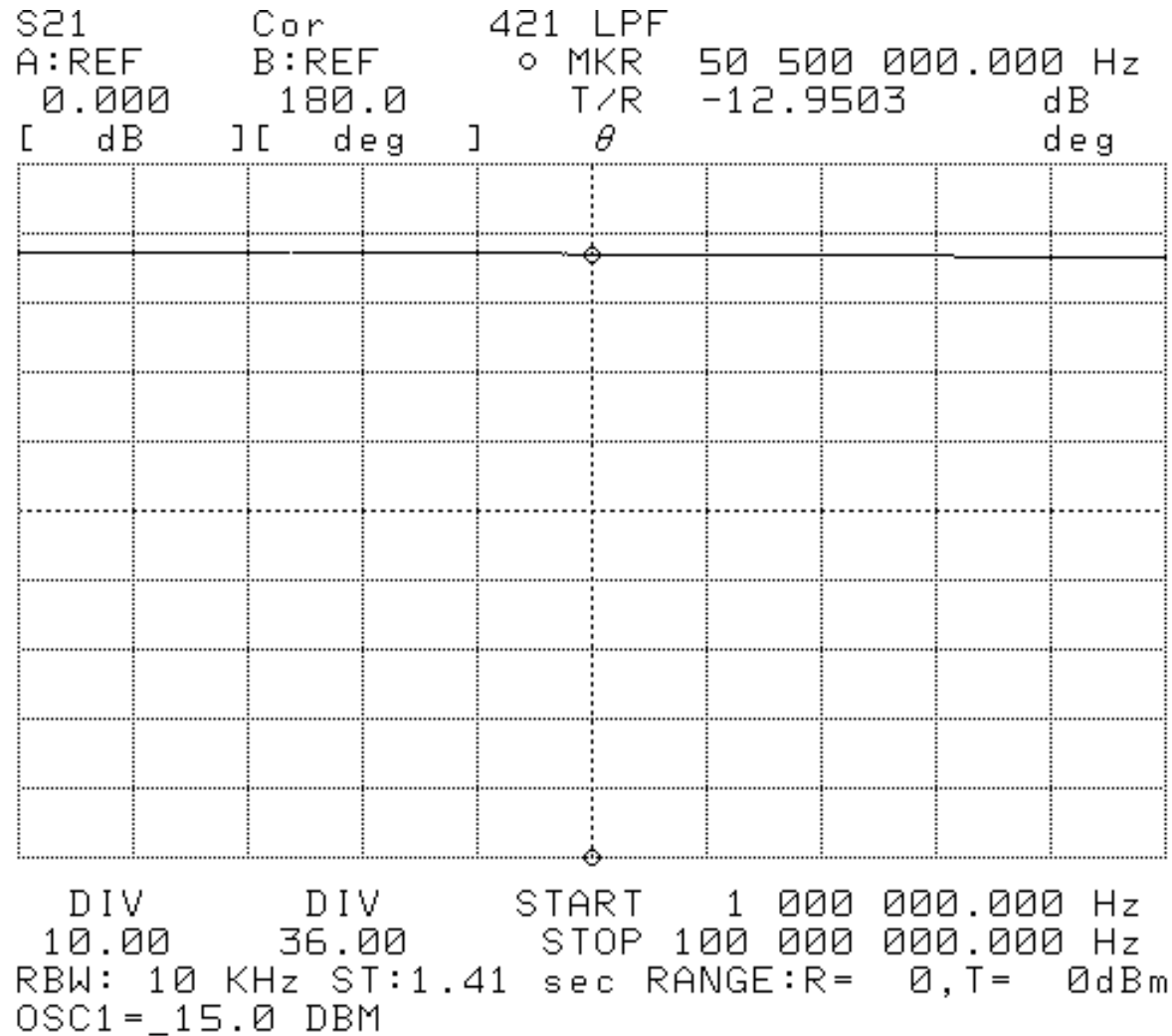
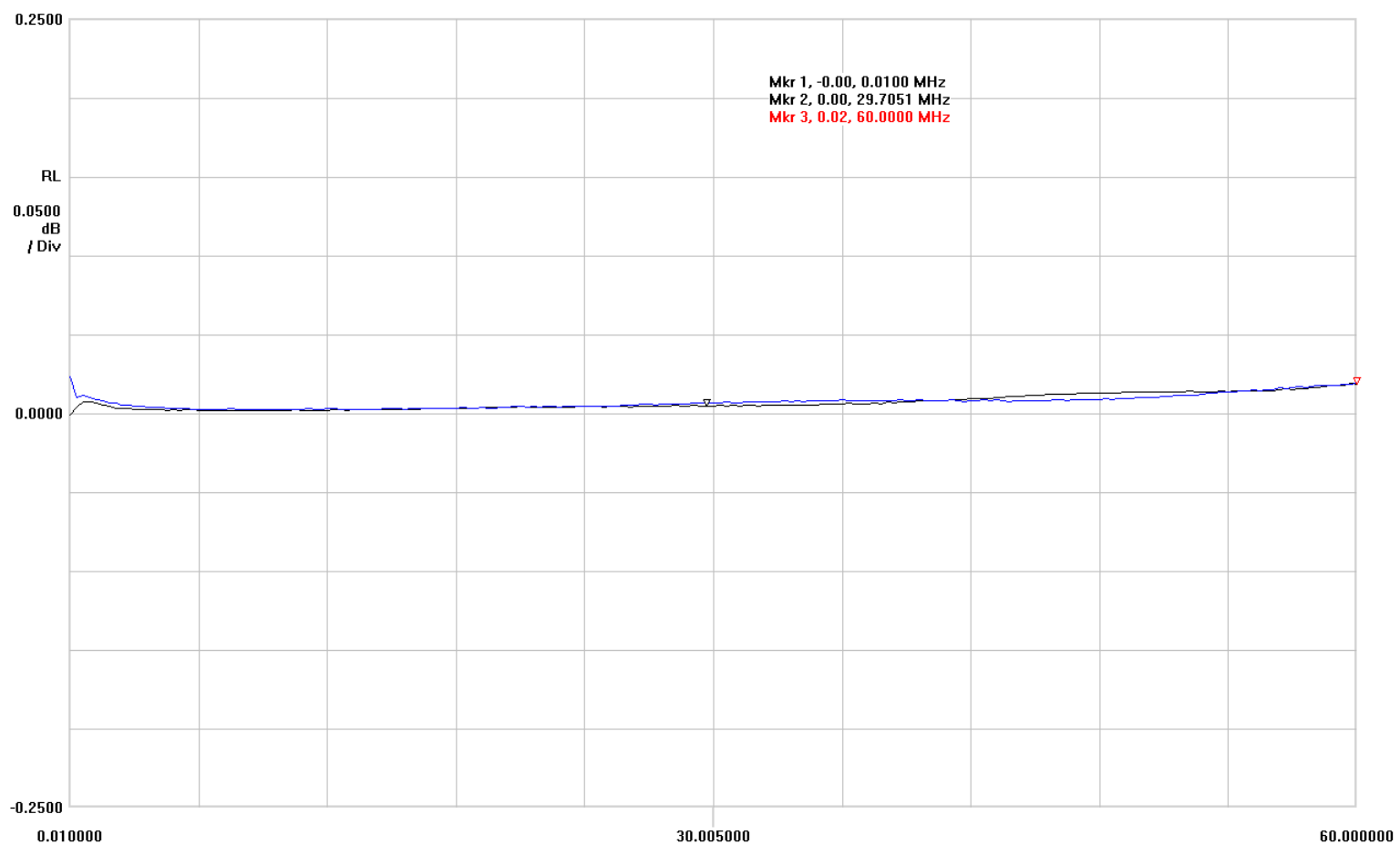


Directivity



Insertion loss



Open-Short

A

B

C

D

1

1

2

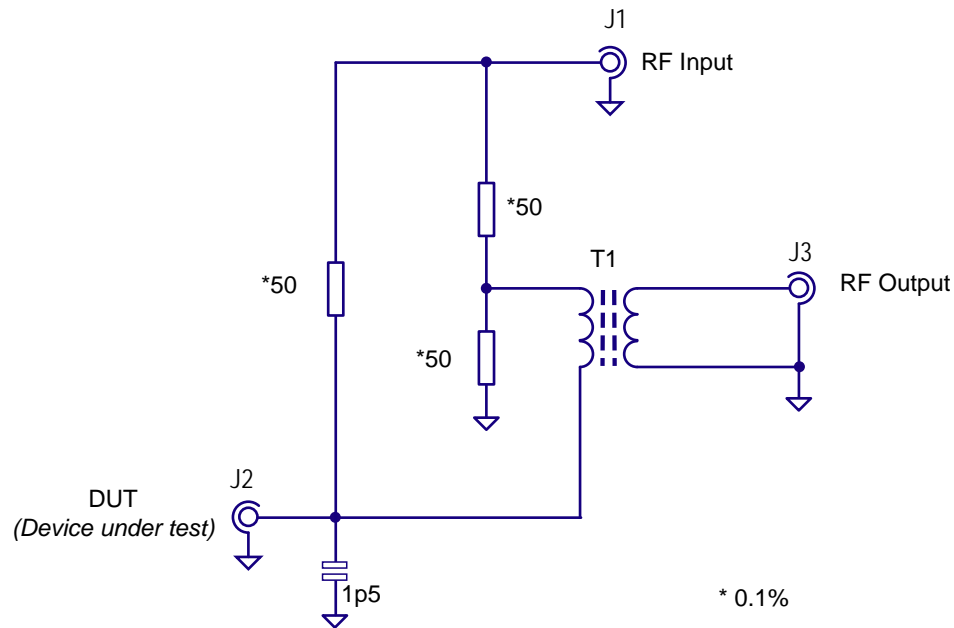
2

3

3

4

4



HEROS technology Ltd general electronics			
Drawing 50KHz-100MHz Mini Impedance Bridge			
Approvals	Size	DWG No	
Issued	A4	REV 01	Sheet 1/1
Checked	Scale	FCSM No	
Drawn JJ de Oñate		Date	IX X MMVIII

A

B

C

D

Notes